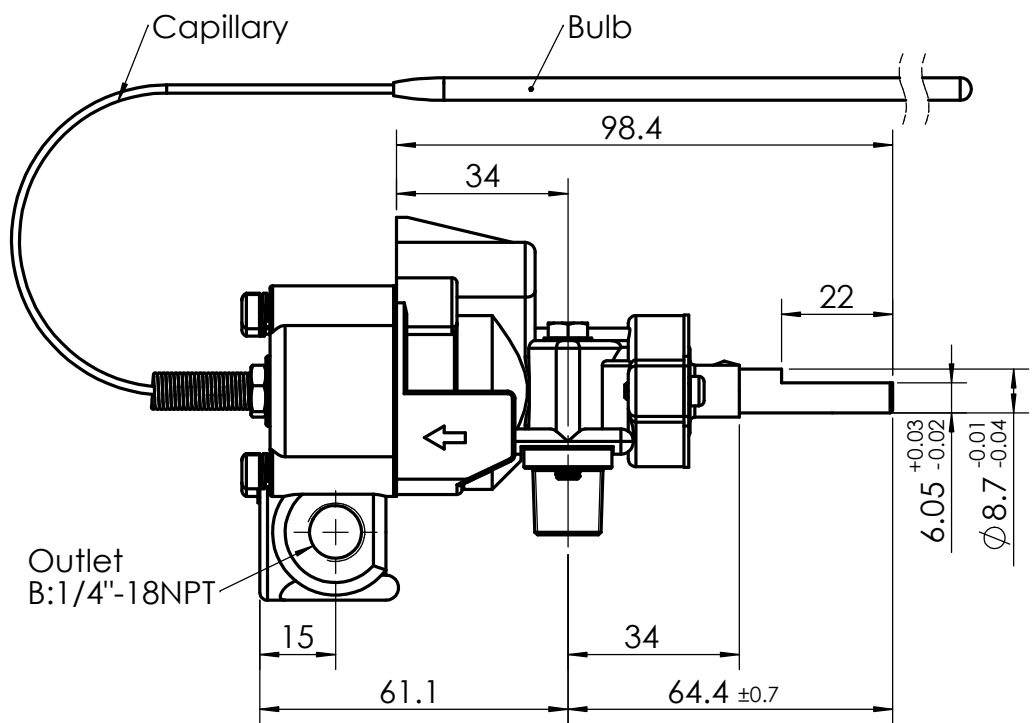
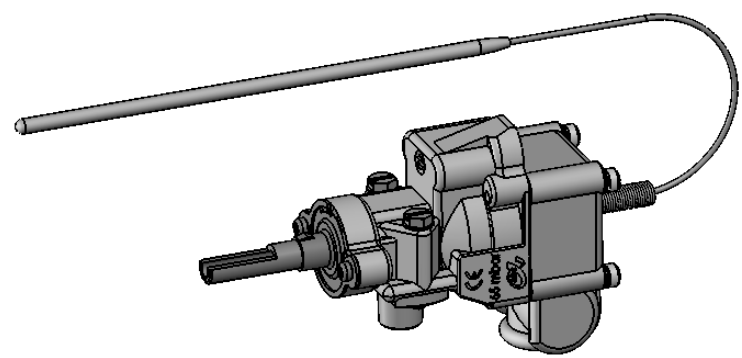
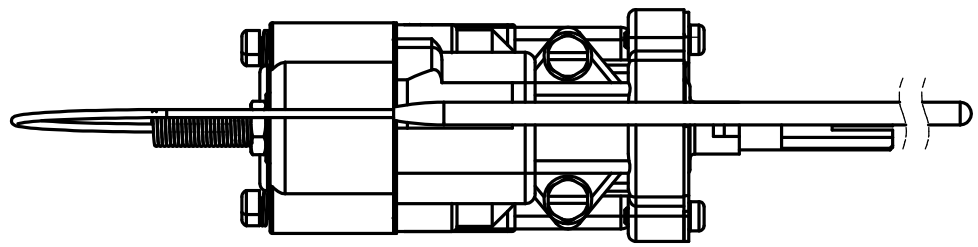
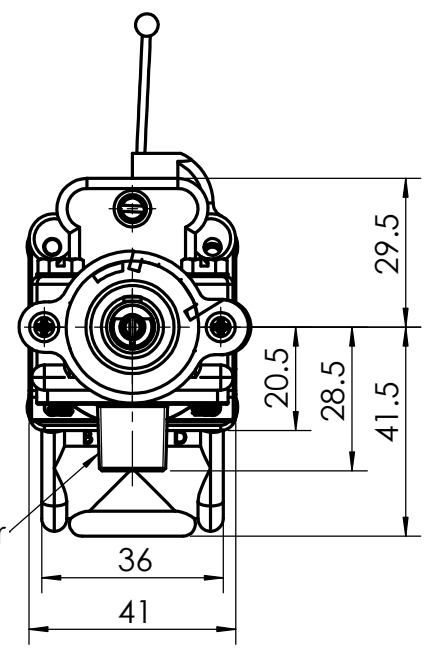


Temperature : 1. 150 °F~400 °F / 100 °C~200 °C
 Range 2. 200 °F~500 °F / 100 °C~250 °C
 3. 200 °F~550 °F / 100 °C~300 °C



Inlet
 1. 1/8"-27NPT
 2. 1/4"-18NPT
 3. 9/16"-27NS-Taper



GENERAL TOLERANCES
UNLESS OTHERWISE SPECIFIED

DEC PL	mm	[inch]
.X	±1	[±.039]
.XX	±0.5	[±.020]
.XXX	±0.2	[±.008]

ANGLES ±1°

abc Alpha Brass Controls Inc.
www.alphabrass.com

DRAWN: KELLY DATE: 2016/8/19

CHK'D/APPV'D: DATE:

TITLE: VALVE ASM		REV. A	
PART NO. ABJ		REV.	
AMOUNT: 1	MATERIAL:	DWG NO.	REV. A
SCALE: 1:1.5	UNIT: mm	SHEET 1 OF 1	