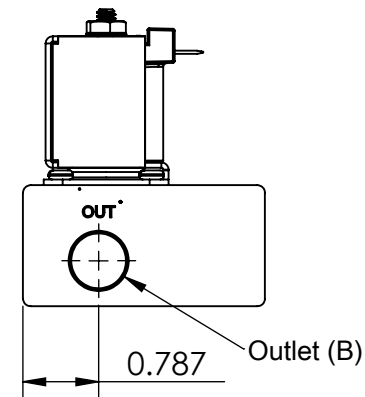
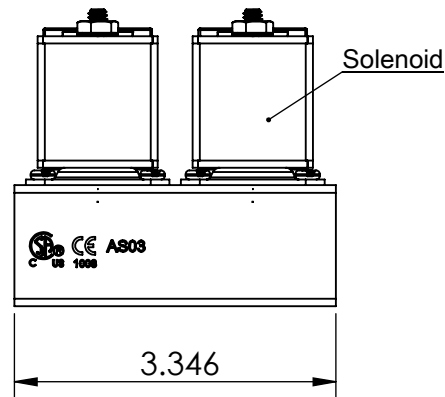
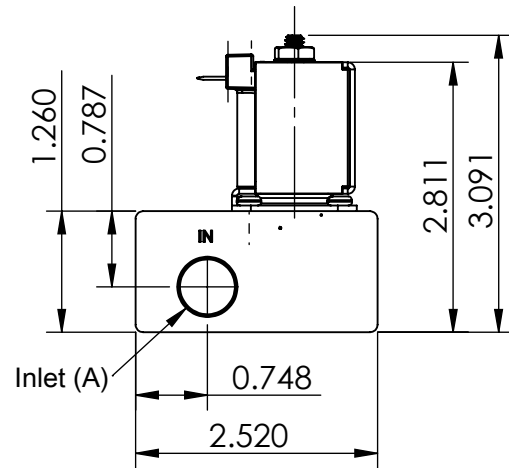


NO.	Inlet(A)	Outlet(B)
1	3/8"-19BSPF	3/8"-19BSPF
2	3/8"-18NPT	3/8"-18NPT
3	3/8"-19PT	3/8"-19PT

Note:

1. Input power rating:
 110 VAC / 120 VAC
 220 VAC / 240VAC
 24 VAC

2. Flow Rate: 110,000 BTU/HR for NAT



GENERAL TOLERANCES
UNLESS OTHERWISE SPECIFIED

DEC PL	mm	[inch]
.X	±1	[±.039]
.XX	±0.5	[±.020]
.XXX	±0.2	[±.008]

Alpha Brass Controls Inc.
www.alpha brass.com

DRAWN: **Eva** DATE: **2014/8/11**

TITLE: VALVE ASM			
PART NO. AS03-A			
AMOUNT: 1	MATERIAL:	DWG NO.	REV. A

ANGLES ±1°	CHK'D/APPV'D:	DATE:	SCALE: 1:2	UNIT: INCH	SHEET 1 OF 1
------------	---------------	-------	------------	------------	--------------