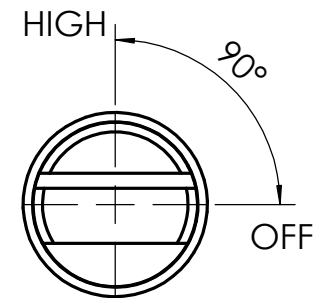
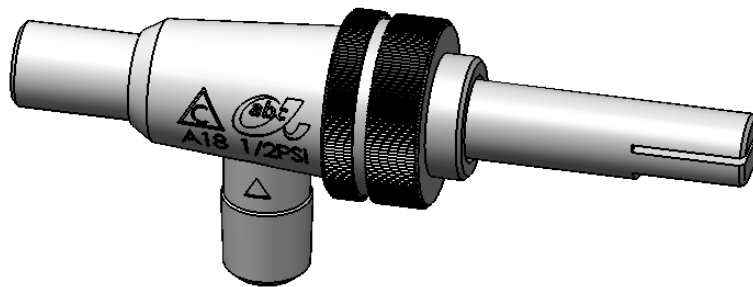
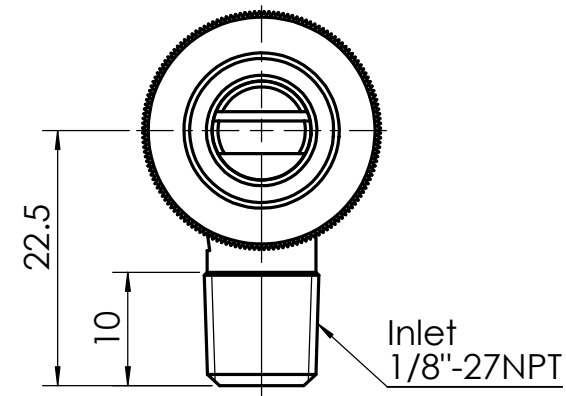
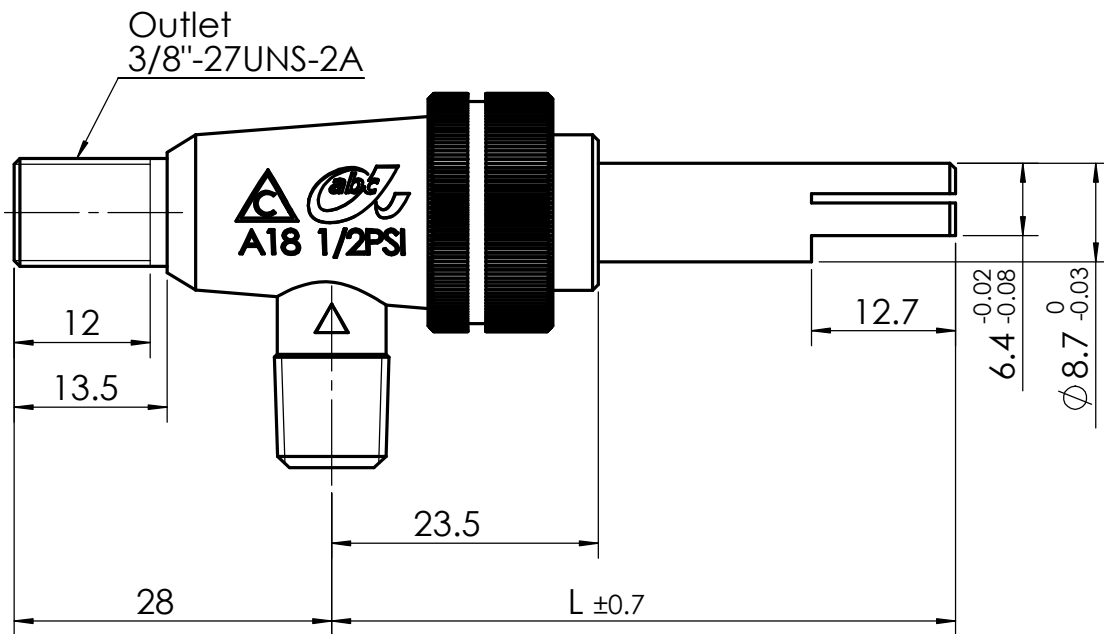


Part No.	Flat Rotation	L(mm)	Rotation
A18-1	6:00	48.5	0-90
A18-2	6:00	51	0-90
A18-3	6:00	55	0-90
A18-4	6:00	64.5	0-90
A18-5	6:00	83.5	0-90
A18-6	6:00	91.5	0-90
A18-8	6:00	57.2	0-90



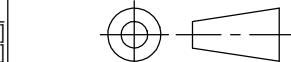
OFF POSITION



GENERAL TOLERANCES
UNLESS OTHERWISE SPECIFIED

DEC PL	mm	[inch]
.X	±1	[±.039]
.XX	±0.5	[±.020]
.XXX	±0.2	[±.008]

ANGLES ±1°



DRAWN: KELLY DATE: 2013/12/25

CHK'D/APPV'D: DATE:

TITLE:

VALVE ASM

PART NO.

A18-X SERIES

AMOUNT: MATERIAL:

DWG NO.

REV.

A

SCALE:

1.5:1

UNIT:

mm

SHEET 1 OF 1